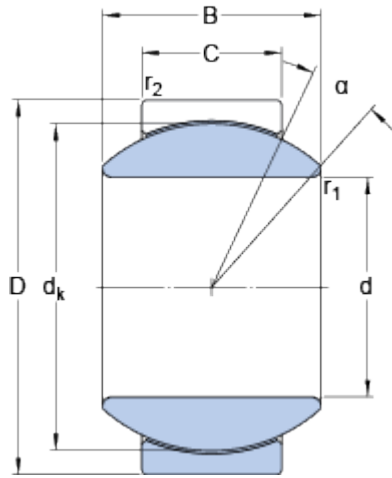


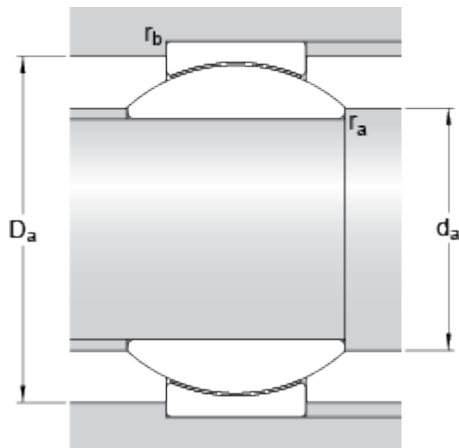
GEH 15 C

Dimensions



d		15	mm
D		30	mm
B		16	mm
C		10	mm
α		16	°
d_k		25	mm
r_1	min.	0.3	mm
r_2	min.	0.3	mm

Abutment dimensions



d_a	min.	16.7	mm
d_a	max.	19.2	mm
D_a	min.	23.7	mm
D_a	max.	28.5	mm
r_a	max.	0.3	mm
r_b	max.	0.3	mm

Calculation data

Basic dynamic load rating	C	22.4	kN
Basic static load rating	C_0	56	kN
Specific dynamic load factor	K	100	N/mm ²
Specific static load factor	K_0	250	N/mm ²
Material constant	K_M	1400	

Mass

Mass plain bearing	0.05	kg
--------------------	------	----